

**DYNACORN**  
**CLASSIC BODIES INC.**

Replacement Body Shells

**100%**  
**New Steel**



**MS65CV**



**Licensed**

**1965-66**

**Mustang Convertible Body Shell**



Ford Oval and Mustang® are registered trademarks owned and licensed by Ford Motor Company. Manufactured by Dynacorn Classic Bodies Inc.

**DYNACORN**  
**CLASSIC BODIES INC.**

Replacement Body Shells

**100%**  
**New Steel**



**MS67CV**



**Licensed**

**1967 Mustang**

**Convertible Body Shell**



Ford Oval and Mustang® are registered trademarks owned and licensed by Ford Motor Company. Manufactured by Dynacorn Classic Bodies Inc.

**DYNACORN**  
**CLASSIC BODIES INC.**

Replacement Body Shells

**100%**  
**New Steel**



**MS67FB**



**Licensed**

**1967 Mustang Fastback Body Shell**



Ford Oval and Mustang® are registered trademarks owned and licensed by Ford Motor Company. Manufactured by Dynacorn Classic Bodies Inc.

**Dynacorn's second Show Car "Phantom"**  
1967 Mustang Fastback built with MS67FB Body Shell  
See more of me @ [www.dynacornclassicbodies.com](http://www.dynacornclassicbodies.com)

**DYNACORN**  
**CLASSIC BODIES INC.**

Replacement Body Shells

**100%**  
**New Steel**



**MS68FB**



**Licensed**

**1968 Mustang Fastback Body Shell**



Ford Oval and Mustang® are registered trademarks owned and licensed by Ford Motor Company. Manufactured by Dynacorn Classic Bodies Inc.

**Reproduction 1968 Mustang**  
Built with MS68FB Body Shell  
Visit [www.dynacornclassicbodies.com](http://www.dynacornclassicbodies.com)

**DYNACORN**  
**CLASSIC BODIES INC.**

Replacement Body Shells

**100%**  
**New Steel**



**MS69FB**



**MS70FB**



**Licensed**

**1969 & 1970**

**Mustang Fastback Body Shells**

Ford Oval and Mustang® are registered trademarks owned and licensed by Ford Motor Company.  
Manufactured by Dynacorn Classic Bodies Inc.



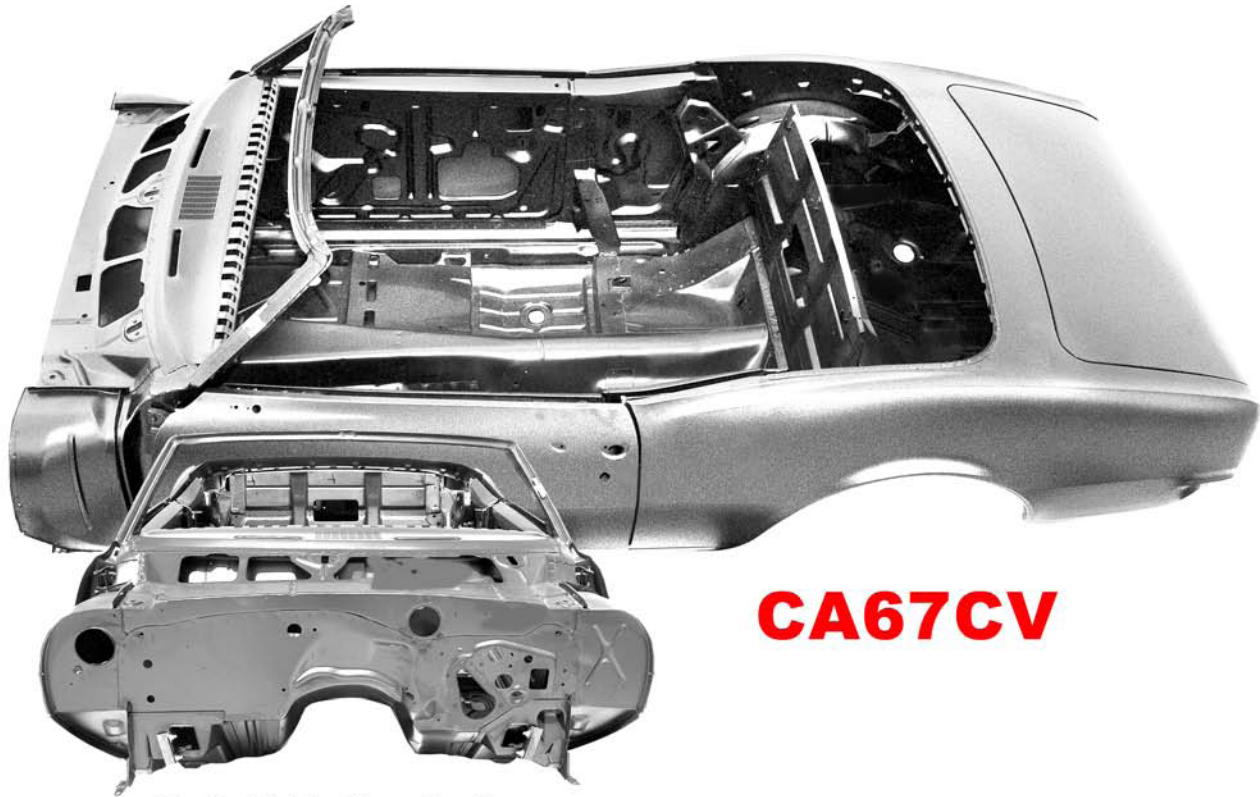
MS69FB Body Shell  
Built into complete car at



**DYNACORN**  
**CLASSIC BODIES INC.**

Replacement Body Shells

**100%**  
**New Steel**



**CA67CV**

Heater Delete Firewall option  
CA67CVBK



**Licensed**

**1967 Camaro Convertible Body Shell**



**CA67CV Body Shell**

Completely welded from the firewall to the tail lamp panel and from the frame rails to the windshield frame. Convertible Body Shell includes convertible top frame. Visit @ [www.dynacornclassicbodies.com](http://www.dynacornclassicbodies.com)

Chevrolet, Camaro, all related Emblems and vehicle model body designs are General Motors Trademarks used under license to Dynacorn Classic Bodies Inc.

**DYNACORN**  
**CLASSIC BODIES INC.**

Replacement Body Shells

**100%**  
**New Steel**



**CA67CP**

Heater Delete Firewall option  
CA67CPBK



**Licensed**

# 1967 Camaro Coupe Body Shell



Chevrolet, Camaro, all related Emblems and vehicle model body designs are General Motors Trademarks used under license to Dynacorn Classic Bodies Inc.

**Dynacorn's first Show Car**  
1967 Camaro Coupe built with CA67CP Body Shell  
See more of me @ [www.dynacornclassicbodies.com](http://www.dynacornclassicbodies.com)

**DYNACORN**  
**CLASSIC BODIES INC.**

Replacement Body Shells

**100%**  
**New Steel**



**FB67CV**

Heater Delete Firewall option  
FB67CVBK



**Licensed**

# 1967 Firebird Convertible Body Shell



Chevrolet, Camaro, all related Emblems and vehicle model body designs are General Motors Trademarks used under license to Dynacorn Classic Bodies Inc.

### FB67CV Body Shell

Completely welded from the firewall to the tail lamp panel and from the frame rails to the windshield frame. Convertible Body Shell includes convertible top frame. Visit @ [www.dynacornclassicbodies.com](http://www.dynacornclassicbodies.com)



**DYNACORN**  
**CLASSIC BODIES INC.**

Replacement Body Shells

**100%**  
**New Steel**



**CA68CV**



**Licensed**

## **1968 Camaro Convertible Body Shell**



Chevrolet, Camaro, all related Emblems and vehicle model body designs are General Motors Trademarks used under license to Dynacorn Classic Bodies Inc.

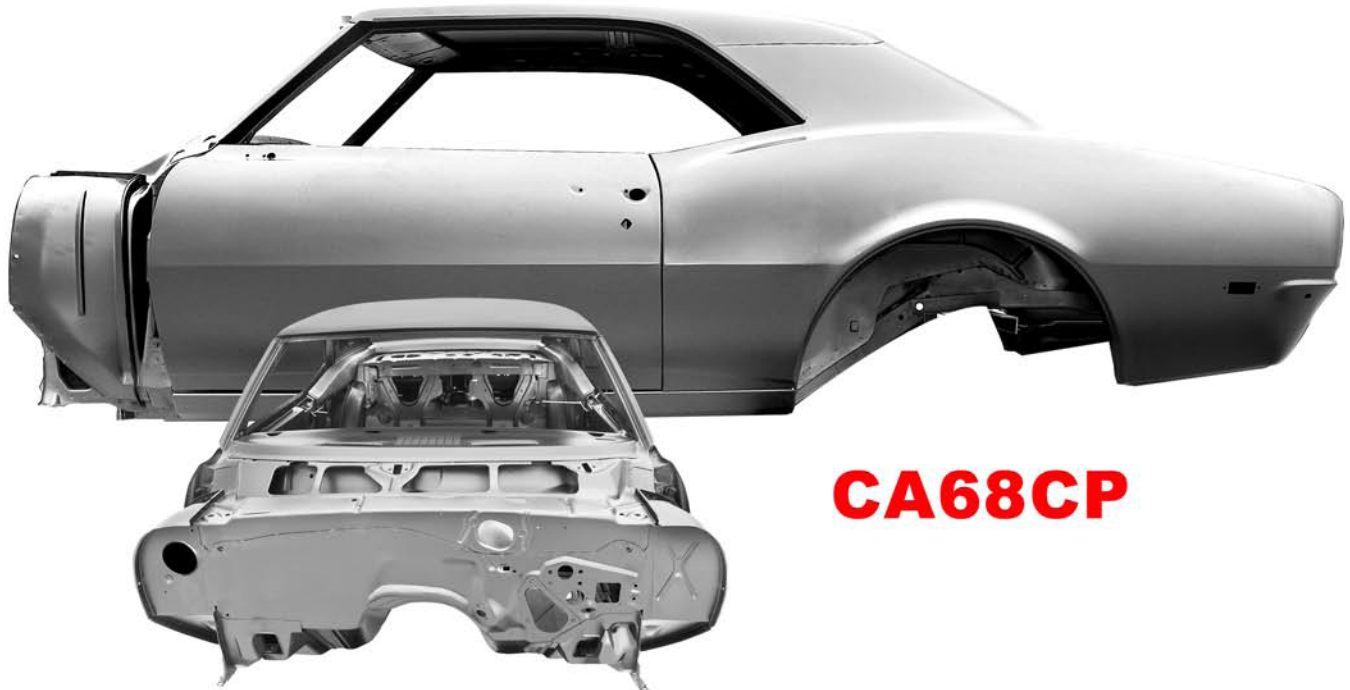
**CA68CV Body Shell**

Completely welded from the firewall to the tail lamp panel and from the frame rails to the windshield frame.  
Visit @ [www.dynacornclassicbodies.com](http://www.dynacornclassicbodies.com)

**DYNACORN**  
**CLASSIC BODIES INC.**

Replacement Body Shells

**100%**  
**New Steel**



**CA68CP**

Heater Delete Firewall option  
CA68CPBK



**Licensed**

## **1968 Camaro Coupe Body Shell**



**CA68CP Body Shell**

Completely welded from the firewall to the tail lamp panel and from the frame rails to the windshield frame.  
Visit @ [www.dynacornclassicbodies.com](http://www.dynacornclassicbodies.com)

Chevrolet, Camaro, all related Emblems and vehicle model body designs are General Motors Trademarks used under license to Dynacorn Classic Bodies Inc.

**DYNACORN**  
**CLASSIC BODIES INC.**

Replacement Body Shells

**100%**  
**New Steel**



**FB68CV**

Heater Delete Firewall option  
FB68CVHT



**Licensed**

# 1968 Firebird Convertible Body Shell



**FB68CV Body Shell**

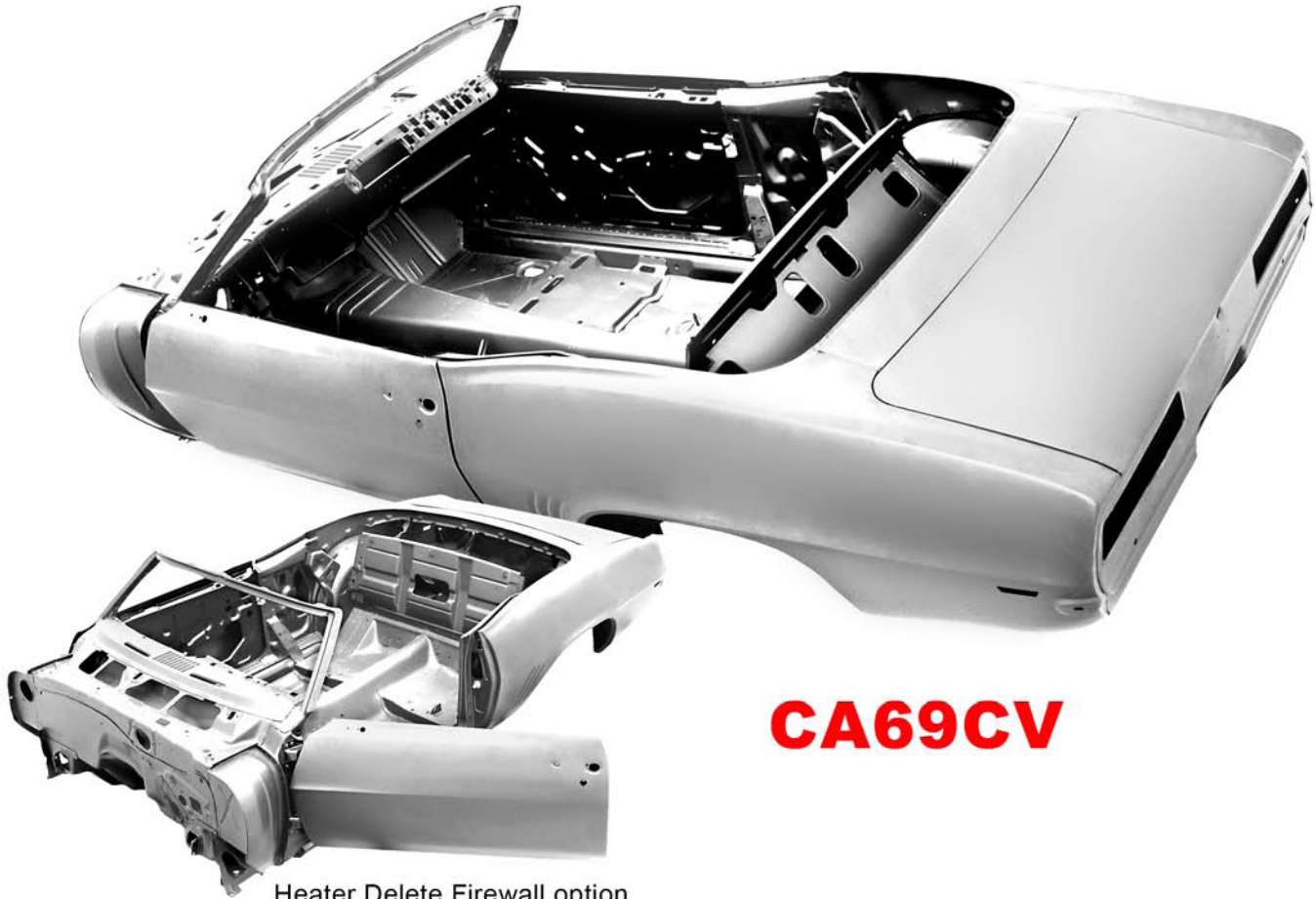
Completely welded from the firewall to the tail lamp panel and from the frame rails to the windshield frame. Convertible Body Shell includes convertible top frame. Visit @ [www.dynacornclassicbodies.com](http://www.dynacornclassicbodies.com)

Chevrolet, Firebird, all related Emblems and vehicle model body designs are General Motors Trademarks are used under license to Dynacorn Classic Bodies Inc.

**DYNACORN**  
**CLASSIC BODIES INC.**

Replacement Body Shells

**100%**  
**New Steel**



**CA69CV**

Heater Delete Firewall option  
CA69CVBK



**Licensed**

# 1969 Camaro Convertible Body Shell



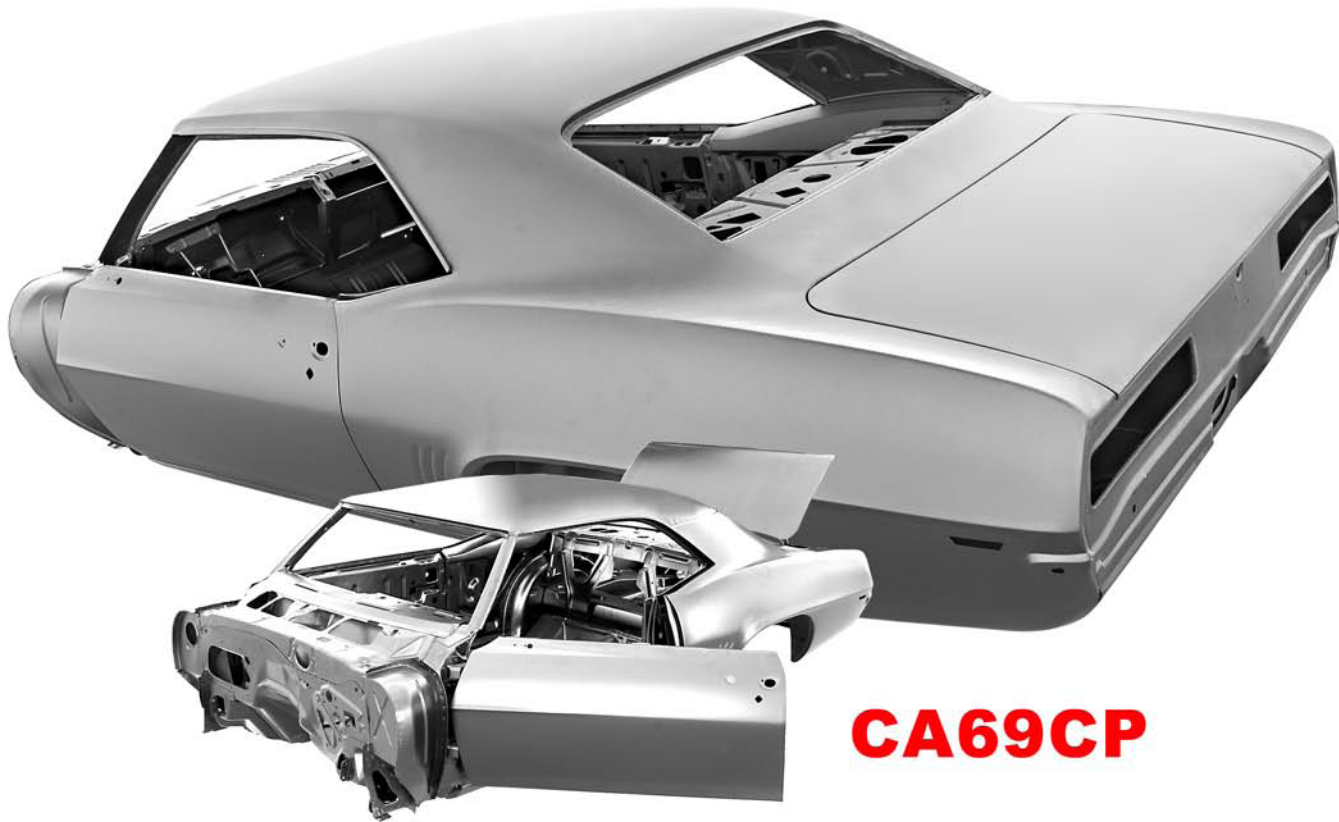
Chevrolet, Camaro, all related Emblems and vehicle model body designs are General Motors Trademarks used under license to Dynacorn Classic Bodies Inc.

Dynacorn's third Show Car  
1969 Camaro Convertible built with CA9CV Body Shell  
See more of me @ [www.dynacornclassicbodies.com](http://www.dynacornclassicbodies.com)

**DYNACORN**  
**CLASSIC BODIES INC.**

Replacement Body Shells

**100%**  
**New Steel**



**CA69CP**

With Factory Heater Firewall option  
CA69CPHT



**Licensed**

## **1969 Camaro Coupe Body Shell**



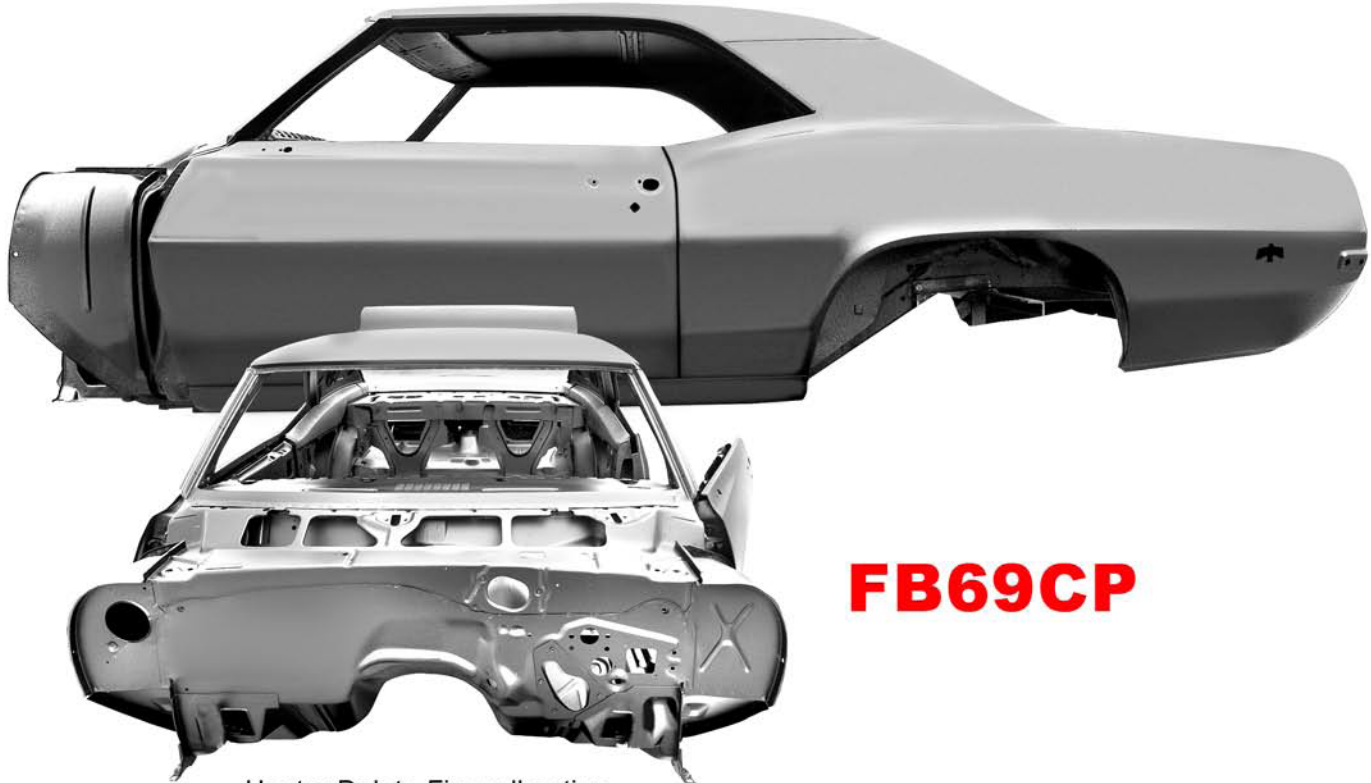
Chevrolet, Camaro, all related Emblems and vehicle model body designs are General Motors Trademarks used under license to Dynacorn Classic Bodies Inc.

Visit @ [www.dynacornclassicbodies.com](http://www.dynacornclassicbodies.com)

**DYNACORN**  
**CLASSIC BODIES INC.**

Replacement Body Shells

**100%**  
**New Steel**



**FB69CP**

Heater Delete Firewall option  
FB69CPBK



**Licensed**

## **1969 Firebird Coupe Body Shell**



Chevrolet, Camaro, all related Emblems and vehicle model body designs are General Motors Trademarks used under license to Dynacorn Classic Bodies Inc.

Visit @ [www.dynacornclassicbodies.com](http://www.dynacornclassicbodies.com)

**DYNACORN**  
**CLASSIC BODIES INC.**

Replacement Body Shells

**100%**  
**New Steel**



Heater Delete Firewall option  
CH70CVBK

**CH70CV**



**Licensed**

## **1970 Chevelle Convertible Body Shell**



**CH70CV Body Shell**

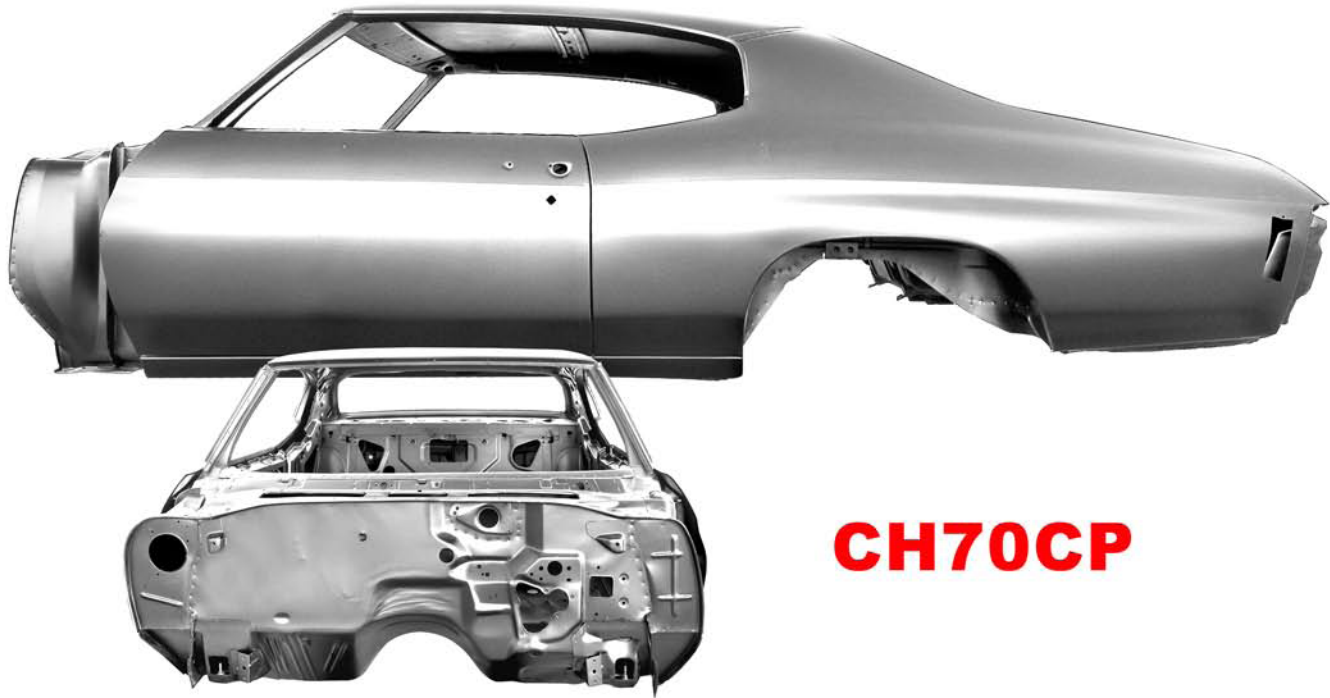
Completely welded from the firewall to the tail lamp panel and from the floor pan to the windshield frame.  
Visit @ [www.dynacornclassicbodies.com](http://www.dynacornclassicbodies.com)

Chevrolet, Chevelle, all related Emblems and vehicle model body designs are General Motors Trademarks used under license to Dynacorn Classic Bodies Inc.

**DYNACORN**  
**CLASSIC BODIES INC.**

Replacement Body Shells

**100%**  
**New Steel**



**CH70CP**

Heater Delete Firewall option  
CH70CPBK



**Licensed**

**1970 Chevelle Coupe Body Shell**



Chevrolet, Chevelle, all related Emblems and vehicle model body designs are General Motors Trademarks are used under license to Dynacorn Classic Bodies Inc.

Visit @ [www.dynacornclassicbodies.com](http://www.dynacornclassicbodies.com)



**DYNACORN**  
**CLASSIC BODIES INC.**

Replacement Body Shells

**100%**  
**New Steel**



**TR47PU**



**TR52PU**



**TR55PU**



**Licensed**

**1947-50, 1952-54 and 1955-57**

**Chevy Truck Cab**



Dynacorn's first Show Truck  
1949 Chevy Pickup built with TR47U Cab Shell  
See more of me @ [www.dynacornclassicbodies.com](http://www.dynacornclassicbodies.com)

Chevrolet, Chevy, all related Emblems and vehicle model body designs are General Motors Trademarks are used under license to Dynacorn Classic Bodies Inc.